

T9 SERIES WITH PLM INTELLIGENCE™

T9.435 | T9.480 | T9.530 | T9.565 | T9.600 | T9.645 | T9.700



PLM
NEW HOLLAND INTELLIGENCE



Our most precise and powerful 4WD tractor ever.

The new T9 Series with PLM Intelligence™ tractors showcase the best of New Holland's power, comfort, efficiency and versatility. Paired with PLM Intelligence™ connected features integrated into the tractor, the T9 Series tractor is the most advanced, most powerful 4-wheel-drive tractor New Holland has ever offered. Power truly meets precision in the new T9 tractor.





In the T9 Series tractor, operators experience New Holland's latest PLM Intelligence technology with all new in-cab controls that provide control and customization without complication. The IntelliView™ 12 in-cab monitor offers quick configuration and advanced features such as custom layout options for each individual job and operator, 3-D maps, touchscreen or encoder navigation and seamless integration with PLM 1, PLM 2 and PLM 4 guidance subscriptions. Additionally, with the integrated MYPLMCONNECT™ telematics platform, producers can manage their farm, fleet and data seamlessly.



The PLM Intelligence platform is built to support continuing advancements in precision agriculture, keeping operators on the cutting edge. Through the platform's five-year Advanced Telematics in these models, producers can expect real-time connectivity to their New Holland dealer, improved profitability through remote software updates, diagnostics and data integration, and increased machine uptime. They can also expect the industry's best in guidance, an easier operator interface, and improved decision-making capability from data analytics.



A new level of connectivity and productivity.

Through PLM Intelligence™, New Holland is unlocking a new level of connectivity and remote viewing never before seen in a 4-wheel-drive tractor. That's the inherent advantage of a new T9 Series tractor. In the T9 tractor, unmatched connectivity provides the ability to share information with your preferred providers, perform diagnostics remotely and make data-driven decisions related to your operations—all from any location and all designed to help you successfully manage your farm, fleet and data. You'll accomplish more in a single day, work smarter and more efficiently, and enjoy a superior level of control and management of your entire fleet.



FARM MANAGEMENT

GET MORE DONE EACH DAY. Easily organize your fields, applications and agronomic data to gain better insights.

- ✓ View every field operation, from spring tillage all the way through harvest.
- ✓ Generate satellite maps to help visualize multiple layers of agronomic data to make more informed decisions.
- ✓ Push guidance lines, boundaries and prescriptions to equipment remotely.



FLEET MANAGEMENT

WORK SMARTER BY TRACKING EQUIPMENT. Achieve peak performance by maximizing uptime and efficiency.

- ✓ Receive notifications and view critical operating parameters.
- ✓ Monitor current and historical machine performance.
- ✓ Plan and execute maintenance on connected vehicles.
- ✓ Coordinate your New Holland machines.
- ✓ Remote display viewing enables the farm manager or dealer to view—with the permission from the operator—what is on-screen in the cab of the tractor.



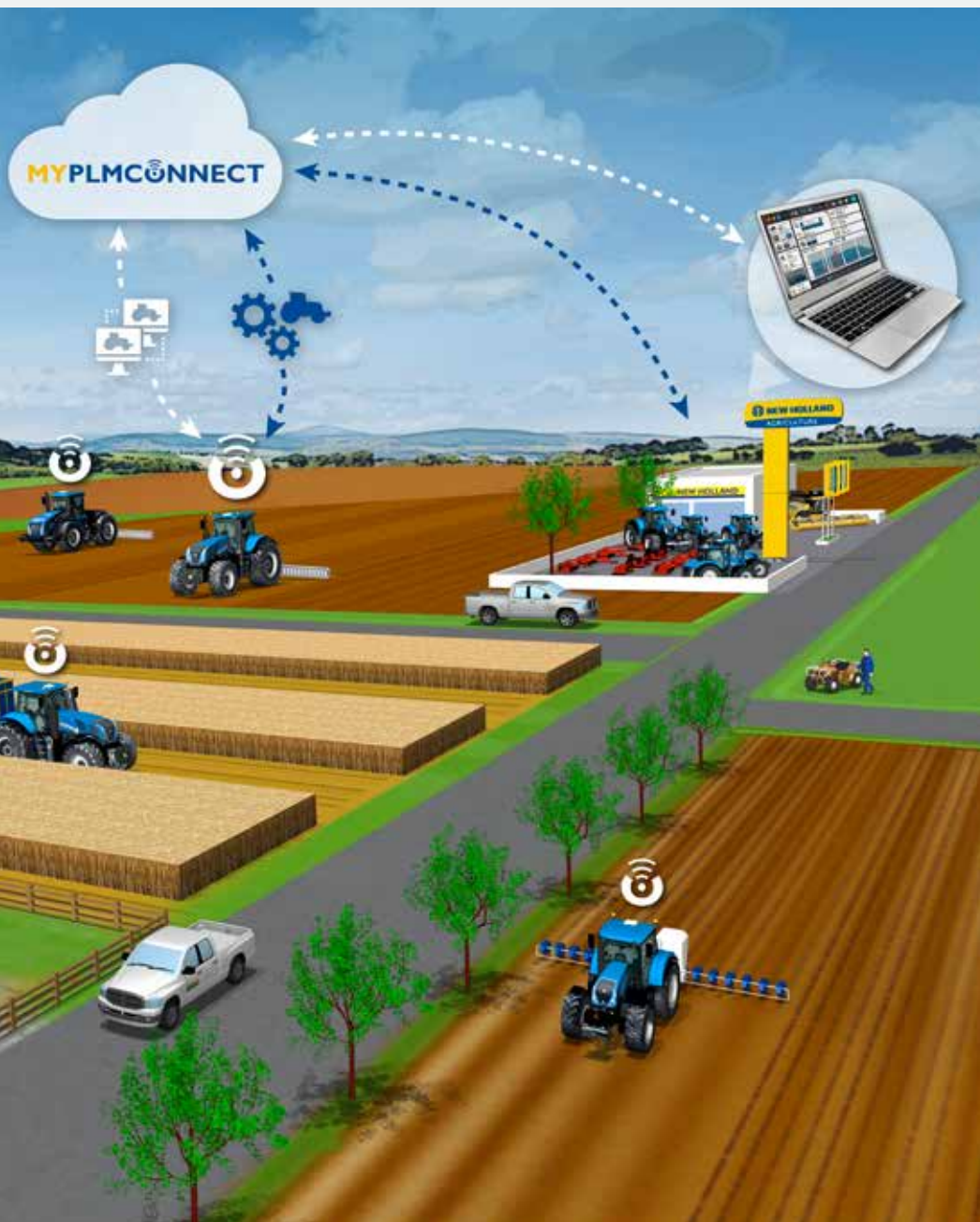
DATA MANAGEMENT

CONNECT AND SECURELY SHARE YOUR FARM DATA. Gain relevant agronomic insights that connect you to your farm down to the field level.

- ✓ MyPLM Connect helps you seamlessly manage, share and move data—all while ensuring you stay in complete control.
- ✓ Securely share your data and relevant equipment information with trusted partners.
- ✓ Invite your dealer to view relevant farm, field or field operation data for fast, transparent communication.



Remote services to keep you connected. We know you have other commitments in the community or with your family that take you away from your operation. With PLM Intelligence you don't always have to be in the cab of the tractor to see what the operator is seeing. You can remotely view the IntelliView 12 display from wherever you might be. The PLM Intelligence platform connects your farm, fleet and data to help you make well-informed decisions.



Remote Display Viewing

No matter where they are, a farm manager or dealer can easily see exactly what the operator is seeing on the IntelliView 12 display screen in the cab.



Remote Service Support

There's no time for downtime. Now you can work with your local New Holland dealer to remotely diagnose maintenance and service issues to identify parts you need to stay up and running.



Remote Software Updates

Update your vehicles operating software wirelessly to take advantage of new features, functionality, and enhancements.

A closer look at what powers your profits.

Take a closer look at the T9 Series with PLM Intelligence advantages that improve your productivity, decrease your cost of ownership and boost your bottom line.

Power, strength and efficiency that's tested and proven

New Holland backs its claims of strength and efficiency with a series of tests conducted by the Nebraska Tractor Test Laboratory (NTTL). These tests found **the complete T9 Series tractor line features best-in-class power, torque, and overall fluid efficiency.** That means your operation benefits from more power to the ground and to implements, better fluid efficiency, and reduced fluid and labor costs. The mighty T9.700 set new benchmarks in three categories: drawbar fuel efficiency, drawbar horsepower and maximum pull.



Ready for precision

Every T9 tractor is factory-ready to farm with precision using New Holland's full range of optional Precision Land Management (PLM™) solutions.

More power

Cutting-edge, award-winning ECOBlue™ HI-eSCR technology means significant performance advantages for you, including more horsepower when you need it with lower operating costs.

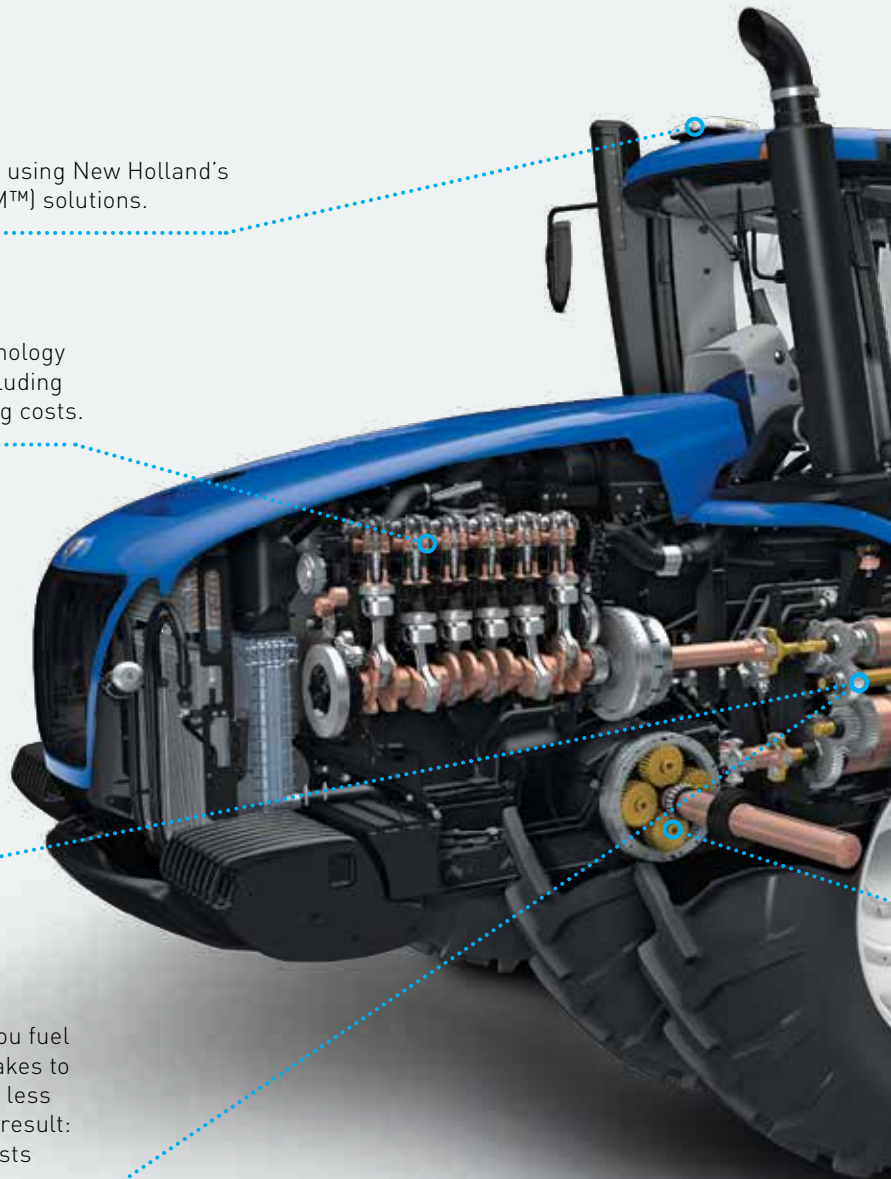


Auto Command™ CVT

T9 Series tractors are the first articulated high-horsepower 4WDs with a Continuously Variable Transmission (CVT). Choose from 10 configurations with up to 605 max horsepower that deliver improved productivity, huge versatility, superior efficiency and limitless control.

Ultra Command™ Powershift

New Holland's proven powershift transmission saves you fuel and time. The latest improvements reduce the time it takes to shift and shuttle. You can shift from gear 1 to 16 in 20% less time and shift from forward to reverse 38% faster. The result: Ultra Command uses less fuel, decreases operating costs and reduces fatigue.



T9 Series with PLM Intelligence™ offering

Models	T9.435	T9.480	T9.530	T9.565	T9.600	T9.645	T9.700
Peak Engine Power	425	462	517	550	605	638	682
Ultra Command™ Transmission (PowerShift)	●	●	●	●	●	●	●
Auto Command™ (CVT) Transmission	●	●	●	●	●	—	—
Row Crop Narrow Frame	●	●	●	●	—	—	—
High Power Wide Frame	—	—	—	—	●	●	●
Heavy-Duty Wheeled	●	●	●	●	●	●	●
SmartTrax™ II*	—	—	●	●	●	●	●
Scraper Heavy-Duty Wheeled	—	—	—	—	●	●	●

● Standard — Not Available * All SmartTrax II models available in High Power Wide Frame only



Tri-Point oscillation delivers benefits for you in any application

Whether you're seeding, leveling, cultivating or applying nutrients, New Holland's exceptionally robust articulated Tri-Point chassis ensures precision ground-following and smooth transfer of power to the ground to improve performance and results. The center section has a large top link that extends from the front frame to the very back of the rear frame transferring dynamic loads more efficiently and maximizing your pulling capability, which in turn lowers fuel usage. In addition, this tri-point oscillation ensures well-balanced weight transfer between the front and rear axles so significantly less ballast is required to reduce compaction.

Massive, heavy-duty axles built for the job

Regardless of the model you choose, T9 Series axles are built to stand up to high torque loads. Planetary input gears offer the ultimate in quiet comfort too. The massive 5.5-inch-diameter, heavy-duty axles with 18-bolt hubs carry up to 66,000 pounds of gross vehicle weight and offer superior braking. What this means to you is greater strength, durability, and reliability.

Terralock™ traction management

Terralock is standard equipment and automatically manages four-wheel drive and the engagement of front and rear differential lock. Of equal importance, the system takes care of disengaging 4WD when you apply the brakes and when working at high speeds.



The ultimate in farming comfort.

You'll appreciate the all-new fit and finish and automotive quality of the T9 Series cab. The ergonomic, spacious and practical environment is a must for day-long productivity.

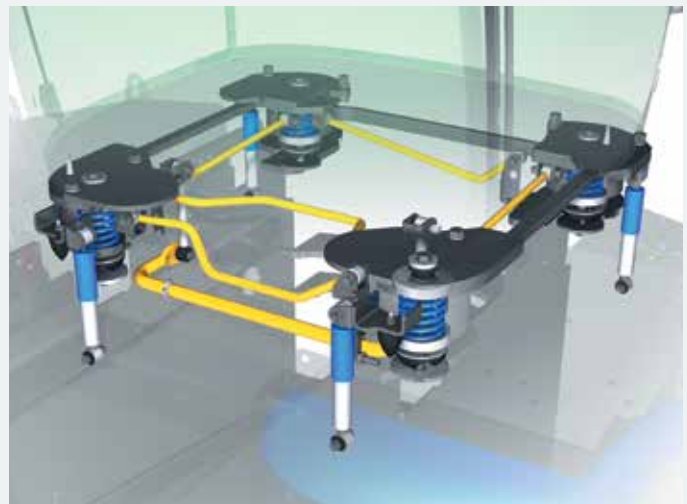


Cab options

New Holland offers you superior comfort and seating with two different cab options.

The **Deluxe Performance cab** features a cloth seat with leather trim, a semi-active suspension and comfort-heating capabilities.

For a premier seating experience consider the **Luxury Performance cab**. Enjoy semi-active suspension and heating capabilities in this seat too, but it's also all-leather and is equipped with a ventilation system that cools and removes moisture to keep operators comfortable and productive when spending extended hours in the tractor.



All-day comfort

The exclusive four-point cab suspension masterfully controls front-to-back, side-to-side, and up-and-down motions to ensure that you are as comfortable after a long day's work as you were before you started.



Settle in and enjoy the ride

The Comfort Ride™ cab suspension is revolutionary. All four corners of the cab are suspended on spring and damper units with a sophisticated anti-sway system to ensure you get a smooth and stable ride. The Comfort Ride suspension is offered on all models and is standard on SmartTrax™ II models.

Your home away from home.

Everywhere you turn inside the T9 Series cab you'll find features—big and small—that make you feel right at home, even on the longest days behind the wheel. Climb aboard and take a look around.



Intuitive climate controls

The entire air-conditioning system has been redesigned with a powerful two-zone cooling system and precisely positioned vents to ensure whole body comfort. All controls have been ergonomically relocated to the SideWinder™ Ultra armrest, making on-the-go adjustments even easier.



Convenient and connected

We put more storage and cupholders in the newly redesigned cab than ever before to ensure maximum comfort. Technology has become part of our lives, too. You'll always be connected with features like 26 total power charging outlets, 12V power ports, exterior camera inputs and a 120V power outlet to keep your devices fully powered.



High-quality audio

The integrated radio allows every operator to play their own MP3 music recording and receive crystal-clear radio signals. Get full access to weather radio channels, too.

Find the right position

The steering wheel now has separate tilt and telescopic adjustment as standard, which makes it even easier for you to select a comfortable working position—invaluable when spending long hours in the field or on the road.



LED power and performance

Lighting up the way for improved night-time productivity and total safety—it's a key priority we achieve by bringing the latest automotive-sector innovations, like LED technology, into the farming world. For hardcore operators who work around the clock, you're covered with our Performance Plus lighting package that provides 360-degree lighting system to turn darkness into light. As an added feature, all of our lighting packages can be configurable through the IntelliView™ 12 display to turn on or off certain light patterns.



SideWinder™ Ultra: the ultimate ergonomic farming experience.

T9 Series tractors offer sophisticated features that are easy and intuitive to access. The SideWinder™ Ultra armrest hosts all key controls, including throttle, transmission and hydraulics. Everything you need to control is intuitively selected. More advanced features can be quickly accessed.



Customizable buttons

Up to 11 buttons can be personalized and configured on the SideWinder™ Ultra armrest. Located in strategic positions around the armrest: one on the multifunction handle, two on both the joystick and main keypad, four on the rear keypad, and one or two on the throttle/transmission keypad (depending on the transmission option selected). These buttons can be configured to suit both the task at hand and the specific preferences of the operator.



Adjustable SideWinder™ Ultra armrest

The SideWinder™ Ultra armrest can be adjusted to suit your specific requirements. Two manual levers adjust both the height and front/back position of the armrest for enhanced ergonomic operation.



Front or rear linkage control selector

Thumb wheel for position / draft setting

CommandGrip™ handle

STOP button to disengage hydraulics, PTO and linkage

Fingertip control for up to two remote valves

Front and rear linkage raise/lower

Headland Turn Sequencing II (HTS II). Press to record, store and activate automated headland turn

Forward / reverse shuttle and neutral buttons

IntelliSteer™ auto-guidance, automated steering engagement

1 of 11 configurable buttons

Fast raise, lower and dig buttons

Store depth button

Position or draft selector

Main tractor functions shortcut buttons

Terralock™ engagement for automatic management of four-wheel drive and differential lock selection

Light configuration buttons

Three stage acceleration and deceleration setting

1 of 11 configurable buttons

Stored Engine Speed Management settings 1 and 2

Ergonomically positioned hand throttle



Multifunction joystick can be set to operate the front linkage or remote valves

Tractor speed increase / decrease

Forward / reverse shuttle switch

2 configurable buttons

Configuration screen shortcut button

Screen back button

Phone, radio and media controls

Climate controls

Intentional PTO switch, which must be selected to keep the PTO engaged when leaving the operator seat

Engage and disengage the front and rear PTO instantly

Auto PTO will disengage and re-engage both the front and rear PTOs during a headland turn

5 configurable hydraulic valve levers

Thumb wheel encoder

Sliding padded armrest can be adjusted for increased elbow support when using the joystick or CommandGrip™ handle

Front and rear linkage limits settings

4 of 11 configurable buttons



Intelligent monitors for intelligent agriculture.

The all-new IntelliView™ 12 monitor delivers a wide range of machine benefits at your fingertips. A clear evolution from the former IntelliView™ IV, the new "12" model—with its sleek, automotive style "dash" styling, intuitive display and modern design—will become the benchmark of the future.



InfoView™ dash display

The large LCD flat screen display positioned directly in front of the steering wheel is your “at a glance” machine dashboard. It features a host of key operating parameters such as engine rpm, forward speed and selected gear.



Fully customizable

In the IntelliView™ 12 monitor's standard operational layout, the screen is divided into four main areas:

- The top bar allows the operator to access tractor and operation settings.
- The run screens are located on the bottom bar and are customizable and always accessible.
- The main part of the screen is composed of the user-selected run screens, which show key parameters related to the task at hand.
- The left-hand side is another user definable window, which contains primary operating parameters such as fuel rate and slip.



Perfect view

In order to enhance transport safety, a viewing camera has been integrated into the hood. When approaching a traffic junction, this enables you to “see forward” for improved road safety. An additional advantage is that you have a perfect view of front-mounted implements, both while working in the field and when connecting in the yard.



Tested and reliable power and efficiency you've come to expect from New Holland.

Your T9 Series tractor is powered by an ECOBlue™ HI-eSCR (High-Efficiency Selective Catalytic Reduction) Cursor engine developed by New Holland's sister company FPT Industrial. These engines, which comply with the even more stringent Tier 4B emissions norms, offer you four key benefits:

Performance: more power, torque, torque back-up and engine power management while maintaining outstanding transient response.

Efficient operation: fluid consumption (diesel plus AdBlue) is the same or better than Tier 4A T9 tractors. You will also benefit from reduced life-long operating costs.

Simplicity: the simpler engine installation ensures a higher power potential and the reduced cooling system delivers more efficient operation.

Consistency: there is no change in vehicle operation compared to previous Tier 4A models.

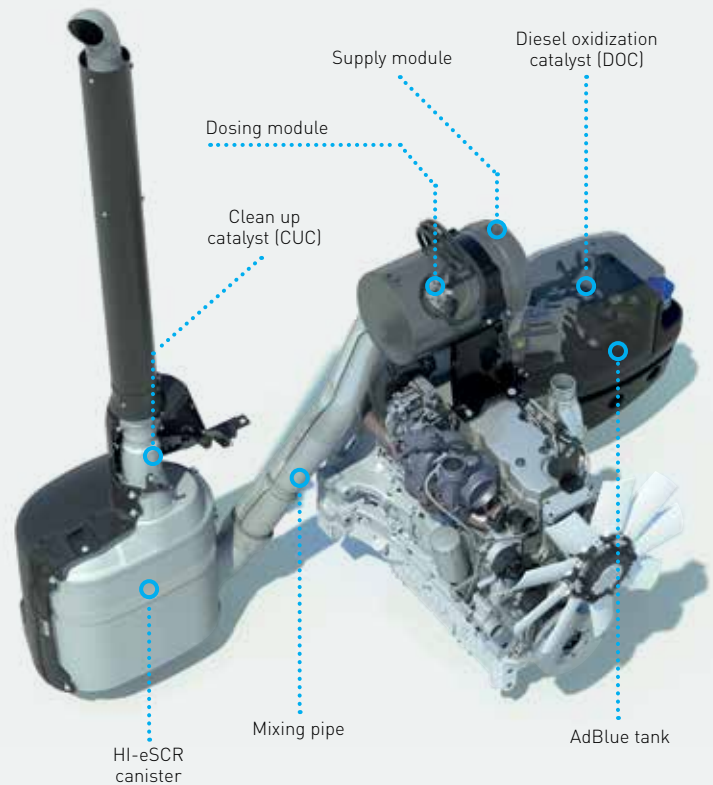
ECOBlue™ HI-eSCR

ECOBlue™ HI-eSCR explained

This New Holland system delivers the highest NOx conversion efficiency in the industry. The patented SCR-only emission system is a true after-treatment system and works outside the engine. This allows the engines to produce class-leading power and reaps the benefits of better fuel efficiency compared to EGR/Diesel Particulate Filter (DPF)/SCR emissions system found in competitive models. The multi-patented system uses a Engine Control Unit, which not only manages the engine, but also the HI-eSCR after treatment system by controlling the supply and dosing modules. Using a dedicated closed loop system, it continuously monitors the NOx levels in the exhaust gases, ensuring that during every cycle the precise amount of AdBlue is injected to achieve NOx conversion of over 95%, all while guaranteeing low fluid consumption.



Sustainable Efficient Technology



Powered by FPT Industrial

New Holland is not going it alone when it comes to Tier 4 technology. They can draw on the experience of their in-house engine development group: FPT Industrial.

Pioneers: Fiat invented Common Rail technology in the 1980s. They were the very first to introduce it on agricultural machines on the TS-A tractor. Pioneering. Always.

Cleaner: For the fifth consecutive year, CNH Industrial has topped the Dow Jones Sustainability World and Europe indexes for the Industrial Engineering sector. Cleaner Everywhere.

Proven: FPT Industrial has pioneered SCR technology since 1995 and has already produced over 650,000 SCR engines during the last eight years for the agricultural, construction and trucking industry. The award-winning HI-eSCR solution has been extensively tested and clinched numerous awards. Reliability. Confirmed.

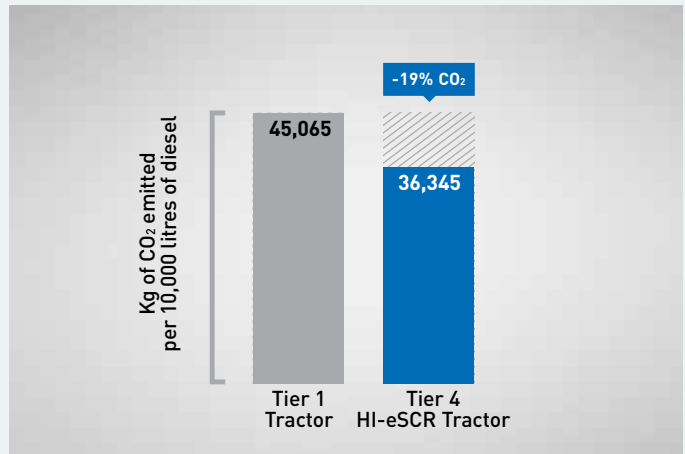
Designed for agriculture

Purposely developed for agriculture, the two-stage turbocharged engines of the T9.600, T9.645 and T9.700 tractors are all part of the proven New Holland efficiency package. The aim? To deliver improved power and sustained output in varying load conditions. So you get all power you need from less fuel. All models meet stringent Tier 4B emission standards.



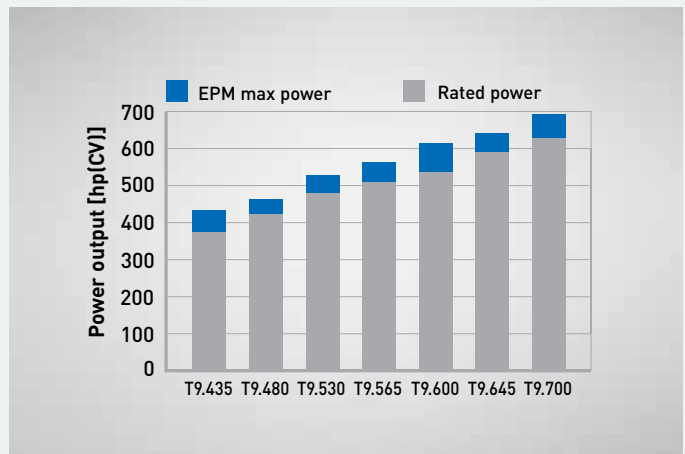
Save fuel to reduce your carbon footprint

Emissions released from burning diesel are a significant contributor to a farm's overall carbon footprint. ECOBlue™ HI-eSCR technology for Tier 4B compliance reduces NOx emissions and maintains the T9 Series impressive fuel efficiency, bringing about a substantial cut in your farm's carbon emissions.



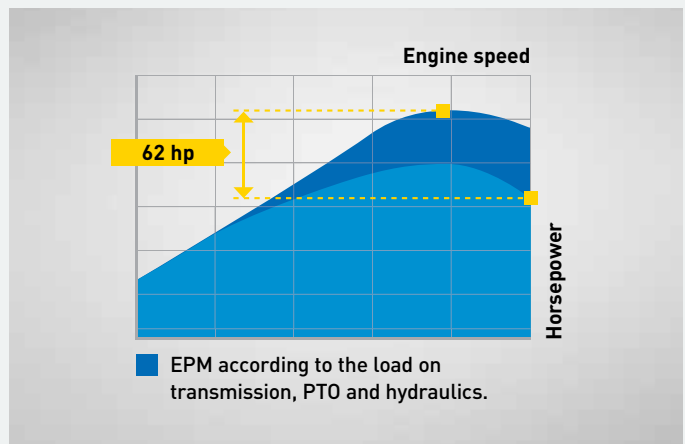
ECOBlue™ HI-eSCR: your power guarantee

ECOBlue™ HI-eSCR technology has increased the power and already exceptional productivity of your T9 Series tractor, independent of fuel quality, sulphur levels and without the need for costly diesel additives. More power from less fuel with clean emissions.



Engine Power Management

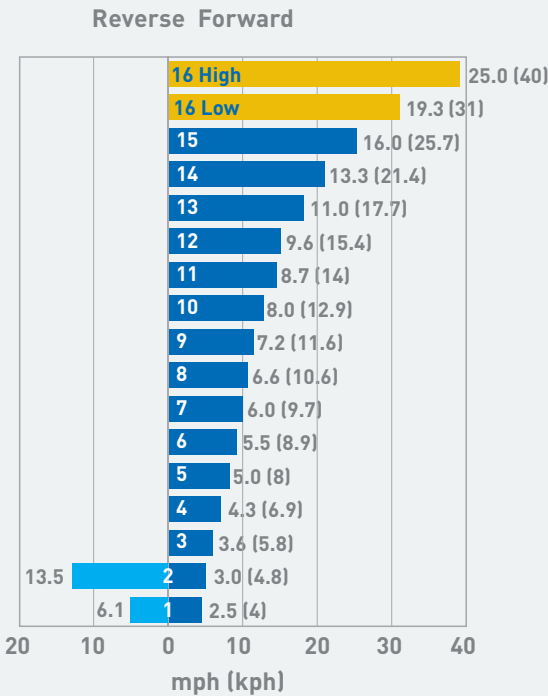
Engine Power Management is a renowned New Holland tractor feature. In short, the engine develops more power and torque according to the load on the transmission during hydraulic, PTO, and transport. Ten percent more power to be exact. On a T9.600 tractor, EPM will deliver up to 62 horsepower extra but only when it is needed to maintain performance.



Proven design, modern control.

The full powershift, now even more tough

New Holland has toughened up its already proven Ultra Command™ full powershift transmission. Now with added strength and improved control, it is truly something special. It gives you the benefit of a new control system using the CommandGrip™ handle for fingertip access to “manual” push button shifts and automated Ground Speed Management. A Hi-Lo dual power is fitted to gear 16, allowing you to quickly increase maximum transport speed from 19 to 25 mph.



Best-in-class power, torque, and overall fluid efficiency

The T9.700 with Ultra Command™ powershift set new benchmarks in drawbar fuel efficiency, drawbar horsepower and maximum pull when tested by the Nebraska Tractor Test Laboratory (NTTL). In fact, tests found the complete T9 Series tractor line features power, torque and overall fluid efficiency that lead this tractor class, which means better productivity and reduced operating costs for you.

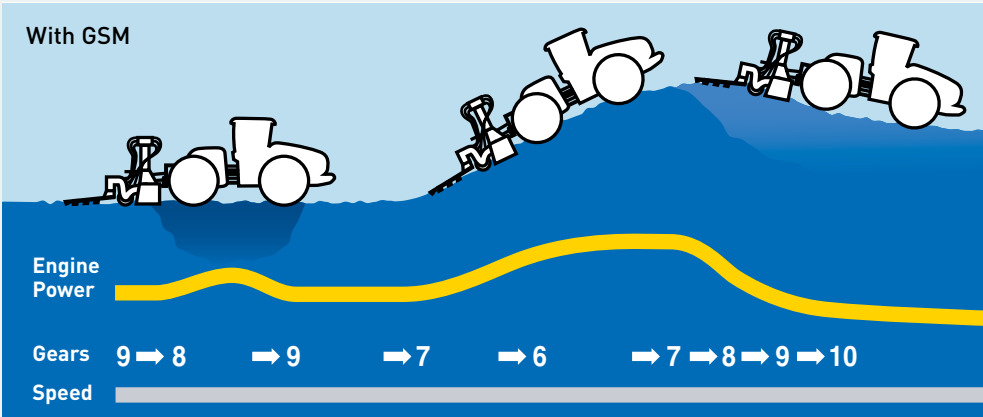
GSM. Intelligent automation.

New Holland Ground Speed Management (GSM) is more than just an automated transmission shift system. Simple to set up and extremely efficient, GSM is a dependable way to reduce operator fatigue and fuel consumption to increase your overall productivity. With CVT-like functionality, it uses a combination of data relating to engine load, forward speed and operator setting, to manage both engine and transmission speeds to optimize performance and economy.

Fixed forward speed? GSM takes care of it.

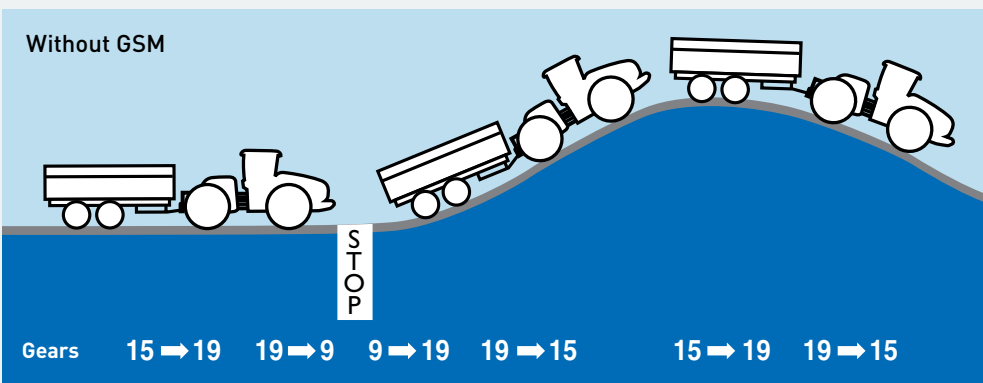
When load conditions change in the field, GSM automatically maintains a fixed forward speed. Just set your desired working speed and then select the GSM function. The automated system then matches engine and transmission speeds to maintain this fixed forward speed, to deliver the perfect balance between maintaining productivity without compromising economy.





Full command in transport

During road transport, GSM will automatically shift the transmission according to load and throttle settings. With heavy loads, GSM downshifts to assist with engine braking on steep inclines.



Monster power. Total control.

When you pair the extreme power of T9 Series tractors with the precise control of the Auto Command™ continuously variable transmission (CVT), you make your workday more comfortable and productive even in the most demanding conditions.

Improved productivity — from 3.0 fpm to 25 mph

The Auto Command transmission is easy to operate so you can remain productive all day. It provides faster acceleration to road speed at 1,650 engine rpm, and gives you maximum speed control. Use three adjustable target speeds to match your every need. Simply set your target speed anywhere between 3.0 feet per minute right through 25 mph and regulate it to the nearest 0.01 mph. No steps. No range changes. Just seamless speed changes to match the jobs you do, from seeding to hauling and running grain carts.

Huge versatility

The Auto Command transmission allows for easier slow-speed operation, more precise speed control for high-value crops and added safety when backing up to hookup large implements.

Superior efficiency

Using Auto Command saves you fatigue and fuel. You get automated efficiency without operator input, and can operate at peak power for any forward and reverse speed.





Limitless control

The Auto Command responds to the amount of force you apply to the CommandGrip™ controller. Move the lever gently for gradual response, aggressively for quick response. Other controls are just as intuitive thanks to New Holland's award-winning SideWinder™ Ultra armrest with fully integrated IntelliView™ wide touchscreen display. You can specify your T9 Series tractor with fully integrated IntelliSteer™ auto-guidance for sub-inch accuracy.

Force based movement enables the operator to change speed and direction. On the ICP there is a switch to alter the response of the speed change. Forward speed can also be controlled using the foot pedal.

Target speed adjustment — set a target speed and then infinitely adjust that speed to match your exact needs. Perfect when moving between fields or when crop yields have altered.

Target speed selection — allows you to change between three target speeds.

Driving modes suit your driving style

- **Auto Mode.** Select the desired target speed and Auto Command matches the engine and transmission to maintain it.
- **Cruise Mode.** Set Auto Command to maintain a desired operating speed for economy and productivity.
- **Manual Mode.** Set the required engine and forward speed, independently of each other.
- **PTO Mode.** As soon as the PTO is engaged, Auto Command guarantees a constant engine speed.



The simplicity and peace of mind of Active StopStart

When you bring the tractor to a standstill, Auto Command prevents the tractor moving backwards or forwards, even with a heavy load. When you release the brake pedal, drive re-engages and the transmission assures there is no risk of roll back on steep inclines. Imagine the efficiency you'll gain when transporting or during frequent shuttling. That's Active StopStart.

Intelligent SmartTrax™ II and tire options tailored to your operation.

SmartTrax™ II: High traction, low compaction

Put one of New Holland's five T9 Series SmartTrax™ tractors to work for you and you get the benefit of 2,800 square inches of ground contact per track module for a total footprint of 11,200 square inches. That maximizes traction, flotation and ride smoothness, while reducing ground pressure and compaction for minimal surface damage, and that improves soil fertility and water drainage, maximizing your yields.

LSW Singles: Low compaction, narrow-width roading

The next generation of tire solutions comes with Low Side Wall technology—powerful, rugged, balanced, and power hop resistance all wrapped up in a single tire solution. While increasing the rim diameter but not increasing the tire diameter, a lower side wall results in a tire with more stability for heavy pulling and roading applications and high ground area contact — yielding more productive results for your operation.

High Flotation or Row Crop Duals, Triples: Less compaction and fuel usage

Tailor your dual or triple tires to your operation, whether it's roading, heavy pulling or row crop applications. High-flotation duals feature an IF rating that produces a stronger tire to carry heavy loads at lower tire pressure. This results in less compaction and fuel usage. Row crop applications require the proper tire to decrease compaction and maintain traction throughout the tire's lifetime, all to improve yields year after year.

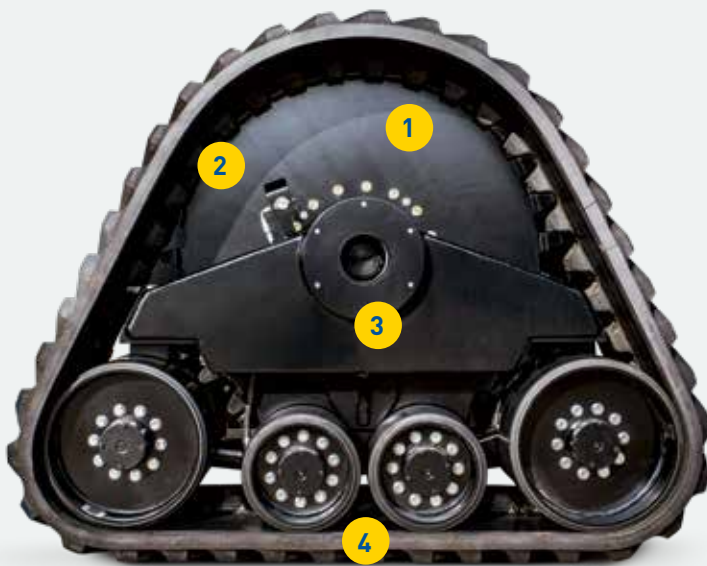
Models	T9.435	T9.480	T9.530	T9.565	T9.600	T9.645	T9.700
SmartTrax™ II	NA	NA	Available (T9.530 and T9.565 Models High Power Wide Frame)				
LSW Singles	Available on all models						
Row Crop Frame Duals	Available on Row Crop Frame				Available on High Power Frame		
High Flotation Duals	Available on all models						
Triples	Available on all models						
Rated HP	370	420	470	500	535	580	620
Transmission	UltraCommand™ Powershift or AutoCommand™ CVT					UltraCommand™	
Cab Suspension	Available on all models, Standard with SmartTrax II						



Exclusive SmartTrax™ design: Performance advantages that just keep on pulling.

**TWO LUG CHOICES
LIGHTEST GROUND PRESSURE
HEAVIEST PULLING
MEETING YOUR DEMANDS**

New Holland SmartTrax II gives your T9 Series tractor the lightest footprint and the heaviest pull, resulting in the ultimate-productivity tractor. SmartTrax II is a choice that best suits your terrain, your applications and your budget. And, only New Holland offers you two track lug options — the two-inch agricultural lug tread or the exclusive deep-traction lug tread with a 2.6-inch tread depth for added traction and pulling capability in very wet, loose, or soft soils.



- 1** The largest drive wheel in the industry measures a massive 56.3 inches in diameter — that's 30% larger than the nearest competitor
- 2** 13 to 14 drive lugs are fully engaged at all times, eliminating slippage between the drive wheel and track. This also reduces the load per lug compared to other designs, which increases belt durability. More power is transmitted through more drive lugs for better power distribution and extended track life
- 3** The axle position of the SmartTrax II design results in a low center of gravity, which improves total vehicle stability
- 4** Designed with no mid-roller directly under the track module pivot point to reduce over-center ride impact for maximum operator comfort

SmartTrax™ II		
Track Module Weight, w/ Ag Belt	lbs. (kg)	5,600 (2545)
Track Module Height	in. (mm)	67 (1701)
Track Module Length	in. (mm)	86 (2183)
Belt Width	in. (mm)	36 (914)
Ground Contact Area	sq. in (sq. cm)	2,800 (18,065)
Maximum Ground Speed	mph (kph)	19 (31)

Rugged durability, less maintenance, more uptime

- All bearings are sealed and lubricated for a lifetime with annual maintenance
- No daily greasing as there are no grease fittings
- Check the bogey and idler wheel oil levels only once a year and change at 5,000 hours
- No need for complex alignment adjustment mechanisms that need to be adjusted, serviced, and replaced. The SmartTrax II rigid undercarriage shaft bores are machined in one operation to ensure excellent alignment between bores, plus New Holland uses straight steel cables in the heavy-duty belts



A heavy-duty scraper cleans the drive wheel and drive lug area of dirt and debris to avoid misalignment and increased belt wear.



A sight gauge permits simple observation.



An integrated accumulator/tensioner automatically adjusts belts for proper tension.

Low Side Wall technology: Solutions for high flotation, heavy pulling, and roading applications all in a single tire.

**NARROW ROADING
HIGH FLOTATION
HEAVY PULLING
MEETING NEW DEMANDS**

New Holland T9 Series tractors can now be equipped with Low Side Wall (LSW) tires to meet the new demands of producers looking for high flotation, heavy pulling, and a narrow overall package for roading applications. LSW tires feature the ability to maintain high load ratings at 40% lower inflation psi values, opening new productivity value to a single tire combination. The larger rim diameter—without increasing the overall LSW tire diameter—results in a more stable tire for the toughest applications.



When equipped with LSW1250/35R46 singles, the overall width measures about 150 inches or 12.5 feet. This narrow roading width, in combination with a light footprint, provides a middle ground when choosing between SmartTrax and high-flotation duals.

Low Side Wall tires design features a larger rim diameter without increasing the overall tire diameter, providing more stability for heavy pull and roading applications.

As the aspect ratio of a tire increases so does the chance for bouncing during roading and power-hop in in-field heavy pull applications. LSW tires eliminate those chances with a lower aspect ratio.

With LSW singles, total psi on the ground is comparable to high-flotation duals on tractors with similar gross vehicle weight — but yields a nearly 20% reduction in overall tire width.

How to decide on the best tracks or tire offering in the industry

Several factors go into selecting the best way to equip T9 Series tractors. Consider your application and primary needs. Is total flotation and heavy pull a primary consideration? What if roading width and top roading speed are your primary requirements?

Use the chart at right to help determine the best fit. **More New Holland leaf symbols means a more favorable solution.** In this example, LSW singles, duals, triples or SmartTrax™ II should be considered on a T9.565 ballasted to the application. Choose full ballast in heavy-pull applications and medium ballast for row crops. You might also consider Increased Flexion (IF) or Very Increased Flexion (VF) tires that provide similar load-carrying capacity at lower psi levels.

The Dual and Triple threat: Tire combinations to meet your row crop or high-flotation needs.

**IN-ROW APPLICATIONS
HIGH FLOTATION
HEAVY PULLING
MATCH TO YOUR NEEDS**

New Holland T9 Series tractors utilize the Row Crop frame on models up to the T9.565. When used in combination with IF or VF Row Crop tires, they maintain load carrying capacities at lower air pressure ratings — producing less compaction, less fuel consumption to promote bottom line returns. High flotation duals can also be equipped with this technology, further improving fuel consumption in heavy-pull applications. Triples distribute the overall weight of the T9 Series tractor over even more area, decreasing compaction for your specific application.



Row Crop Frame and Row Crop Duals are perfectly matched for row-crop applications

Spring tillage, planting, post emergence side-dressing, grain carting, roading, and fall primary tillage—there is no application that the T9 Series tractor can't handle.

High Power Wide Frame and High Flotation Duals provide the power to where it's needed

Heavy-pull applications call for the High Power Frame matched with high-flotation tires. Tire designs featuring improved traction capabilities are made for these kinds of applications.



Grain cart applications with VF and IF dual tires (Row Crop Frame shown) allow for high-speed, low-pressure inflation, which lessens soil compaction while boosting fuel economy. Through less compaction, the T9 Series tractor improves your harvest and yields the following year.

Examples with T9.565 tractor:		SmartTrax II	LSW Singles 1250/35R46	Flotation Duals IF710/70R42	Row Crop Duals VF480/95R50	Triples 520/85R46
Ballasted Weight for Application	lbs	56803	56000	56000	41721	56000
Tire Pressure Monitoring System		N/A	up to 16 sensors	up to 16 sensors	up to 16 sensors	up to 16 sensors
Belt or Tire Width	in.	36	48	29	19.9	20.3
Ground Contact Area (per unit)	sq in.	2800	1129	561	465	441
Ground Pressure		●●●●	●●●	●●●	●	●●●
Turning Radius		●●●●	●●●●	●●	●●●●	●●
Roading Width		●●●●	●●●●	●	●●●●	●
Max Ground Speed		●●	●●●●	●●●	●●●●	●●●
Lowest Cost of Ownership		●●	●●●	●●●●	●●●●	●●●

Rugged design meets perfect balance.



Up to 20,000-pound hitch lift capacity

All models can be equipped with a CAT IV-N quick-hitch rear linkage, convertible to CAT III on standard frame models. Lift capacity rises to more than 20,000 pounds on standard frame tractors, in line with the high power output of the T9.560. A 20-spline 1000-rpm speed PTO option is also available.

The right balance

It takes experience to ballast an articulated tractor correctly. Get the weights wrong, and performance, fuel use, soil compaction and productivity can all suffer. At New Holland we have established ballast guidelines that make it easier to optimize ballast, with purpose-developed weight packs that can be tailored to match your needs.





Drawbar options to suit your needs

A heat-treated two-position agricultural solid bar is fitted to standard frame models. A heavy-duty Class 5 is offered on wide-chassis models. Max permissible tongue weight can reach up to 15,000 pounds on Ag models and 20,000 pounds on scraper models, dependent on drawbar choice.



T9 Series: Built scraper ready

You can order the T9.530, T9.600, T9.645 and T9.700 factory-ready for the demands of tough scraping, grading, leveling, cutting, filling and earthmoving jobs. These models come equipped with the same heavy-duty axles as our Ag models and a scraper drawbar. With combined high-capacity and MegaFlow™ pump options, hydraulic output can reach 113 gallons per minute.

Impressive hydraulic flow to handle the largest implements.

Up to 113 gallons per minute

T9 Series tractors are available with standard or high-flow pumps, with up to 42 and 57 gallon-per minute (gpm) capacities respectively. For demanding hydraulic applications, the optional MegaFlow™ pump delivers up to an extra 56 gpm of hydraulic flow to one bank of remotes, boosting total tractor flow up to a maximum of 113 gpm. For total 113-gpm flow to all remotes for extremely high hydraulic demands like seeding and planting, choose the MegaFlow™ II option. A large coupler is available for applications that demand unrestricted oil flow.



Save time and effort with Custom Headland Management

New Holland has refined and developed Custom Headland Management for easier setup and use. For complex applications, including operating the very widest tillage equipment, Custom Headland Management truly does reduce fatigue and help remove the repetition from your day so you can concentrate on what's really important. Use Custom Headland Management to manage some operations but leave others to manual control — the choice is up to you. Set up is simply a case of recording the desired operations at the headland. These actions are then repeated, automatically, by pressing the dedicated button on the CommandGrip™ handle.



Up to eight electronic remotes

T9 Series remote valves are easy to identify with color-coded couplers and levers. You control all eight remotes without moving away from the SideWinder™ Ultra armrest, allowing you to identify and work each remote with exact precision. Four remote levers are on the armrest and two valves are controlled either using the two additional paddles located to the right of the IntelliView™ monitor, by using the CommandGrip™ handle or by using the electronic joystick. You can set flow, timing and detent settings to precisely match the job. Each valve can also be programmed with Custom Headland Management.



Hydraulic remote valve management

It is now even easier to control hydraulic functions, as each hydraulic remote valve is indicated by a colored LED paddle. The remote paddle position on the SideWinder™ Ultra armrest is completely configurable, so operators can choose which paddle operates which hydraulic remote. This makes it easier to customize usage based on application and operator preference.

Quick and simple flow control setting

The IntelliView™ 12 touchscreen monitor makes setting flow rates to individual valves simple. Scroll through the menus and select valve control. Choose the outlet you wish to adjust, and drag the slider with your finger to the desired setting or use the front armrest encoder wheel. Job done.

MODELS		T9.435 Wheeled	T9.480 Wheeled	T9.530 Wheeled and SmartTrax™	T9.565 Wheeled and SmartTrax™	T9.600 Wheeled and SmartTrax™	T9.645 Wheeled and SmartTrax™	T9.700 Wheeled and SmartTrax™
Engine*		FPT Cursor 9	FPT Cursor 13	FPT Cursor 13	FPT Cursor 13	FPT Cursor 13 Two-stage Turbo	FPT Cursor 13 Two-stage Turbo	FPT Cursor 13 Two-stage Turbo
No. of cyl. / Aspiration / Valves		6/WT/4	6/WT/4	6/WT/4	6/WT/4	6/WT/4	6/WT/4	6/WT/4
Cylinders / Valves / Displacement	cu. in. (L)	6/24/531 (8.7)	6/24/787 (12.9)	6/24/787 (12.9)	6/24/787 (12.9)	6/24/787 (12.9)	6/24/787 (12.9)	6/24/787 (12.9)
Tier 4B / ECOBlue™ HI-eSCR system (Selective Catalytic Reduction)		●	●	●	●	●	●	●
Approved biodiesel blend**		B7	B7	B7	B7	B7	B7	B7
Max. EPM horsepower @ 1,900 rpm	CV hp (kW)	425 (317)	462 (345)	517 (386)	550 (410)	605 (451)	638 (476)	682 (509)
Rated horsepower @ rated RPM per SAE	CV hp (kW) @ 2,000 rpm	370 (276) @ 2,000 rpm	420 (313) @ 2,100 rpm	470 (350) @ 2,100 rpm	500 (373) @ 2,100 rpm	535 (399) @ 2,100 rpm	580 (433) @ 2,100 rpm	620 (462) @ 2,100 rpm
PTO power @ rated 1,811 engine rpm	CV hp (kW)	354 (264)	404 (302)	457 (341)	490 (366)	530 (396)	530 (396)	530 (396)
Max. torque - ISO TR14396	lbs. ft. (Nm)	1361 (1845) @ 1400	1469 (1992) @ 1400	1644 (2229) @ 1400	1751 (2374) @ 1400	1873 (2540) @ 1400	2033 (2757) @ 1400	2169 (2941) @ 1400
Torque rise	%	40	40	40	40	40	40	40
Viscous coupled cooling fan		●	●	●	●	—	—	—
Hydraulically driven cooling fan		—	—	—	—	●	●	●
Automatic exhaust brake		○	○	○	○	○	○	○
Diesel capacity (Wheeled)	gal. (L)	219 (829)	307 (1162)	307 (1162)	307 (1162)	307 (1162)	455 (1722)	455 (1722)
Diesel capacity (Track)	gal. (L)	—	—	307 (1162)	307 (1162)	307 (1162)	307 (1162)	307 (1162)
AdBlue tank capacity	gal. (L)	42 (159)	42 (159)	42 (159)	42 (159)	66 (250)	66 (250)	66 (250)
Service interval	hours	600	600	600	600	600	600	600
Transmission								
Ultra Command™ transmission		○	○	○	○	○	○	○
IntelliShift™ System		●	●	●	●	●	●	●
Ground Speed Management (GSM)		●	●	●	●	●	●	●
Number of gears / with Creeper	F x R	16 x 2	16 x 2	16 x 2	16 x 2	16 x 2	16 x 2	16 x 2
Min. speed / Max. speed (Wheeled)	mph (kph)	2.5/25 (4/40)	2.5/25 (4/40)	2.5/25 (4/40)	2.5/25 (4/40)	2.5/25 (4/40)	2.5/25 (4/40)	2.5/25 (4/40)
Min. speed / Max. speed (Track)	mph (kph)	—	—	2.5/19 (4/31)	2.5/19 (4/31)	2.5/19 (4/31)	2.5/19 (4/31)	2.5/19 (4/31)
Auto Command™ Continuously Variable Transmission		○	○	○	○	○	—	—
Powershuttle lever with aggressiveness setting switch		●	●	●	●	●	—	—
Active StopStart function		●	●	●	●	●	—	—
Force base propulsion control		●	●	●	●	●	—	—
Auto Command™ Continuously Variable Transmission (40 kph ECO)		●	●	●	●	●	—	—
Min. speed / Max. speed (Wheeled)	mph (kph)	0.10/25 (0.16/40)	0.10/25 (0.16/40)	0.10/25 (0.16/40)	0.10/25 (0.16/40)	0.10/25 (0.16/40)	—	—
Min. speed / Max. speed (Track)	mph (kph)	—	—	0.10/19 (0.16/31)	0.10/19 (0.16/31)	0.10/19 (0.16/31)	0.10/19 (0.16/31)	0.10/19 (0.16/31)
Configurations								
Track Belts	in. (mm)	—	—	36 (914) Standard Track		36 (914) Standard Track		
Frame width Wheeled/Track	in. (mm)	36.5 (927)/ —	36.5 (927)/ —	36.5 (927)/44 (1118)		44 (1118)/44 (1118)		
Electrical								
Alternator/Battery/Electrical Cutoff Switch	CCA	12 V 200 amp/two 1,000 cranking amps/Yes				12 V 240 amp/two 1,000 cranking amps/Yes		
Axles								
4WD front axle		●	●	●	●	●	●	●
Articulation angle Wheeled/Standard Tracks	degrees	42/ —	42/ —	42/38	42/38	38	38	38
Turning radius	in. (mm)	193 (4900)	193 (4900)	193/224 (4900/5690)		224 (5690)	224 (5690)	224 (5690)
Front & Rear Diff-lock		●	●	●	●	●	●	●
Hydraulics								
Closed Center Load Sensing (CCLS)		●	●	●	●	●	●	●
Main pump flow (Standard on full PowerShift) / High flow option (Standard on CVT)	gpm (LPM)	40/55 (151/208)	42/57 (159/216)	42/57 (159/216)	42/57 (159/216)	42/57 (159/216)	42/57 (159/216)	42/57 (159/216)
Optional MegaFlow™ II option pump flow Standard / High flow (Total flow available across all remotes)	gpm (LPM)	93/108 (351/408)	98/113 (371/428)	98/113 (371/428)	98/113 (371/428)	98/113 (371/428)	98/113 (371/428)	98/113 (371/428)
Electronic Draft Control (EDC)		●	●	●	●	●	●	●
Remote valves								
Type		Electro hydraulic	Electro hydraulic	Electro hydraulic	Electro hydraulic	Electro hydraulic	Electro hydraulic	Electro hydraulic
Max. no. rear valves		8	8	8	8	8	8	8
Joystick control		○	○	○	○	○	○	○
Rear linkage		○	○	○	○	○	○	○
Rear linkage category		IV-N / III	IV-N / III	IV-N / III	IV-N / III	IV-N	IV-N	IV-N
Max. lift capacity through the range (610 mm behind ball ends)	lbs. (kg)	20,000 (9072)	20,000 (9072)	20,000 (9072)	20,000 (9072)	19,621 (8900)	19,621 (8900)	19,621 (8900)

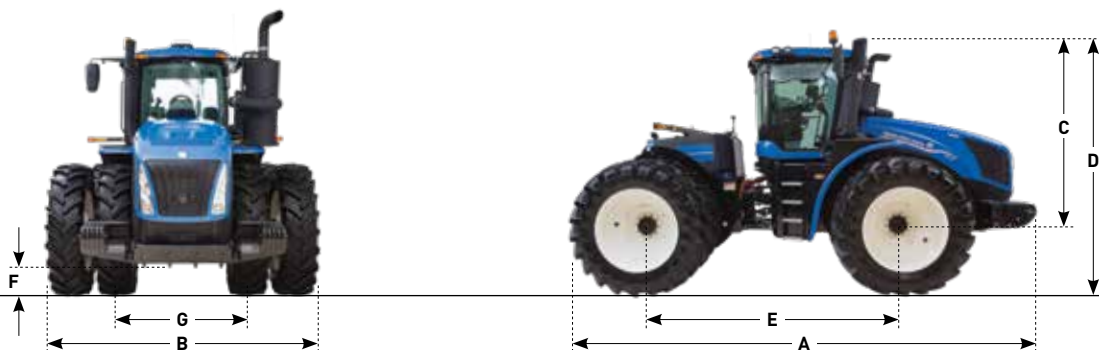
MODELS

T9.435
WheeledT9.480
WheeledT9.530
Wheeled and
SmartTrax™T9.565
Wheeled and
SmartTrax™T9.600
Wheeled and
SmartTrax™T9.645
Wheeled and
SmartTrax™T9.700
Wheeled and
SmartTrax™

		T9.435 Wheeled	T9.480 Wheeled	T9.530 Wheeled and SmartTrax™	T9.565 Wheeled and SmartTrax™	T9.600 Wheeled and SmartTrax™	T9.645 Wheeled and SmartTrax™	T9.700 Wheeled and SmartTrax™
Rear PTO		○	○	○	○	○	○	○
Auto Soft Start		●	●	●	●	●	●	●
Engine speed at 1000 rpm	engine rpm	1800	1800	1800	1800	1800	1800	1800
Brakes								
Automatic exhaust brake		○	○	○	○	○	○	○
Electronic park brake		●	●	●	●	●	●	●
Hydraulic trailer brakes		○	○	○	○	○	○	○
Cab								
Volume (size) / Glass 132 cu ft/88.1 sq. ft.		●	●	●	●	●	●	●
360° 4 pillar cab with FOPS - OECD Code 10 Level 1		●	●	●	●	●	●	●
Cab category level - EN 15695		2	2	2	2	2	2	2
High visibility RHS window		●	●	●	●	●	●	●
HID lighting pack		○	○	○	○	○	○	○
SideWinder™ Ultra armrest		●	●	●	●	●	●	●
CommandGrip™ handle		●	●	●	●	●	●	●
Manual adjustment of SideWinder™ Ultra armrest		●	●	●	●	●	●	●
Air conditioning		●	●	●	●	●	●	●
Automatic climate control		●	●	●	●	●	●	●
Air recirculation filters		●	●	●	●	●	●	●
MP3 Radio with weather channel		○	○	○	○	○	○	○
Telescopic mirrors		○	○	○	○	○	○	○
Electronic remotely adjustable mirrors		○	○	○	○	○	○	○
Comfort Ride™ cab suspension (Standard on track models)		○	○	○	○	○	○	○
Custom Headland Management (HST II)		●	●	●	●	●	●	●
A pillar Performance Monitor with enhanced key pad		●	●	●	●	●	●	●
IntelliView™ IV color monitor with ISO 11783 connector		●	●	●	●	●	●	●
IntelliSteer™ guidance ready		●	●	●	●	●	●	●
PLM® Connect Telematics (Telematics components standard. Subscriptions optional)		○	○	○	○	○	○	○
Optimum cab noise level EC 77/311	dB(A)	74	74	74	74	74	74	74
Factory fit rotating beacons (1 / 2)		○	○	○	○	○	○	○
Weights								
Wheel Models - Base Shipping Weight	lbs. (kg)	38,571 (17,496)	39,820 (18,062)	39,820 (18,062)	39,820 (18,062)	45,325 (20,559)	49,330 (22,375)	49,330 (22,375)
Wheel Models - Max Gross Vehicle Weight	lbs. (kg)	49,500 (22,453)	49,500 (22,453)	49,500 (22,453)	49,500 (22,453)	56,000 (25,401)	66,000 (29,937)	66,000 (29,937)
Track Models - Base and Max Gross Vehicle Weight	lbs. (kg)	—	—	63,700 (28,894)	63,700 (28,894)	63,700 (28,894)	63,700 (28,894)	63,700 (28,894)

● Standard ○ Optional — Not Available *Developed by FPT Industrial

**Biodiesel blend must fully comply with the latest fuel specification EN14214:2009 and operation is in accordance with operator manual guidelines



MODELS

T9.435 - T9.565

T9.600 - T9.700

Dimensions		T9.435 - T9.565	T9.600 - T9.700
With rear tire size		710/70R42 - Singles	710/70R42 - Singles
A Overall length including front weight pack and rear drawbar	in. (mm)	291.0 (7393)	299.8 (7615)
B Min. width across bar axle	in. (mm)	120.0 (3048)	120.0 (3048)
C Height at center of rear axle to top of cab	in. (mm)	110.0 (2794)	114.2 (2903)
D Overall height	in. (mm)	151.3 (3843)	156.0 (3963)
E Wheelbase	in. (mm)	147.9 (3759)	153.9 (3911)
F Ground clearance (depends on drawbar)	in. (mm)	17.4 (443)	17.6 (447)
G Width at fenders	in. (mm)	100.35 (2549)	100.35 (2549)



VALUE, SERVICE AND SOLUTIONS

There's a certain way of thinking that comes from living on a farm. Farming takes equal parts brain and brawn. Not to mention thick skin, calloused hands and a fair share of know how. Seasoned farmers know it helps to have equipment that's built by farmers, sold by farmers and used by farmers.

Support at every step. When you place your confidence in New Holland agricultural equipment, you get the finest in local support. Your New Holland dealer understands the many challenges you face and stands behind you at every step with the equipment, parts, service and financial solutions to make your job easier. Look to New Holland for a complete selection of equipment, including a full line of tractors, hay & forage equipment, harvesting, crop production and material handling equipment.

Quality parts and service. Turn to your New Holland dealer after the sale for expert, factory-trained service and genuine New Holland-branded parts. Your dealer has the very latest service updates and training to ensure your equipment keeps working productively season after season.

Financing solutions. Your New Holland dealer can tell you about smart ways to turn your financial challenges into opportunities with a portfolio of innovative financial services available through CNH Industrial Capital, including customized financing, leasing, insurance and the purchasing convenience of a Commercial Revolving Account.

For reliable equipment, parts and service — or just honest advice on farming and finance — turn to New Holland and your trusted New Holland dealer. We know. We're farmers, too.



We are proud to support the FFA.

Learn more at www.newholland.com

Design, materials and/or specifications are subject to change without notice and without liability therefor. Specifications are applicable to units sold in Canada, the United States, its territories and possessions, and may vary outside these areas.

© 2020 CNH Industrial America LLC. All rights reserved. New Holland is a trademark registered in the United States and many other countries, owned by or licensed to CNH Industrial N.V., its subsidiaries or affiliates. Any trademarks referred to herein, in association with goods and/or services of companies, other than owned by or licensed to CNH Industrial N.V., its subsidiaries or affiliates, are the property of those respective companies.



Safety begins with a thorough understanding of the equipment. Always make sure you and your operators read the Operator's Manual before using the equipment. Pay close attention to all safety and operating decals and never operate machinery without all shields, protective devices and structures in place.